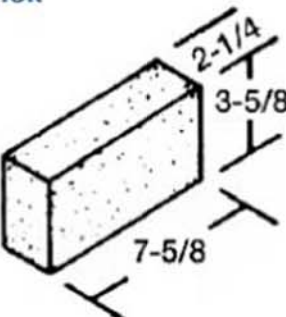
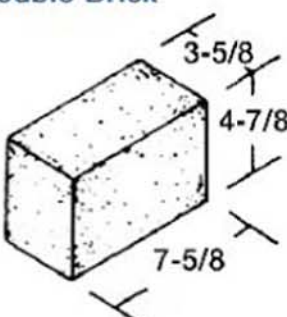
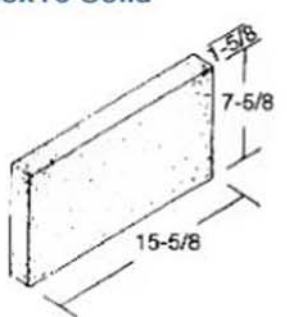
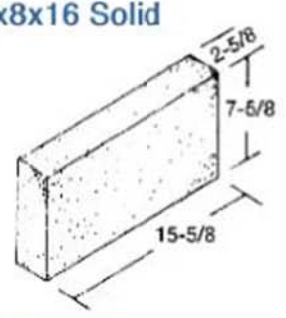
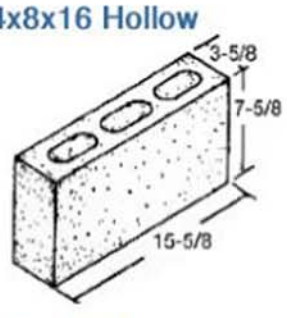
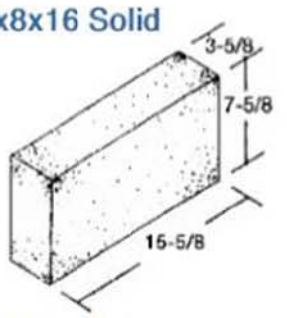
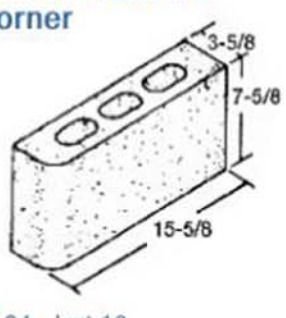
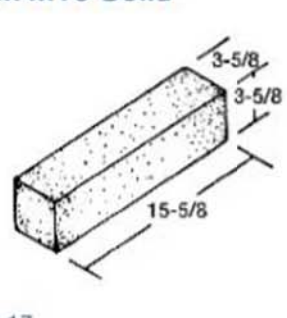
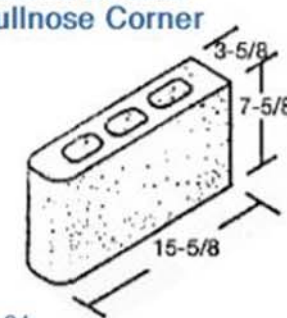
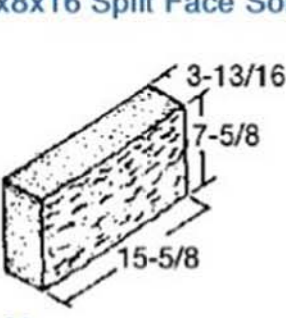
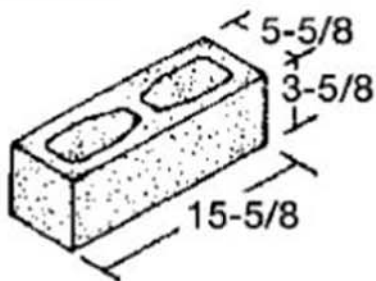


# SOLIDS & 4x8x16 UNITS

<p><b>Brick</b></p>  <p>Wt 4-1/2 Lwt 3-1/2</p>	<p><b>Double Brick</b></p>  <p>Wt 10 Lwt 7-1/2</p>	<p><b>2x8x16 Solid</b></p>  <p>Wt 16 Lwt 11</p>
<p><b>3x8x16 Solid</b></p>  <p>Wt 24 Lwt 18</p>	<p><b>4x8x16 Hollow</b></p>  <p>Wt 25 Lwt 19</p>	<p><b>4x8x16 Solid</b></p>  <p>Wt 32 Lwt 21</p>
<p><b>4x8x16 Bullnose Corner</b></p>  <p>Wt 24 Lwt 18</p>	<p><b>4x4x16 Solid</b></p>  <p>Wt 17</p>	<p><b>4x8x16 Double Bullnose Corner</b></p>  <p>Wt 24</p>
<p><b>4x8x16 Split Face Solid</b></p>  <p>Wt 34</p>		

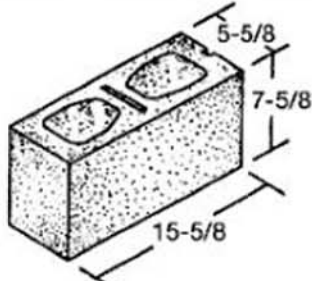
# 6x8x16 UNITS

**6x4x16 H.C.  
Half High**



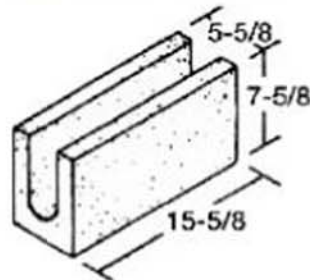
Wt 15

**6x8x16 Combination  
Stretched/Corner-Sash**



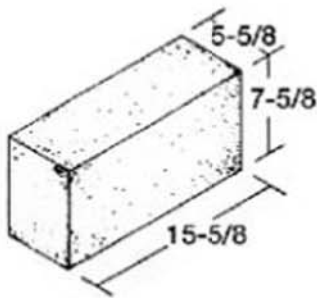
Wt 31

**6x8x16 Bond Beam**



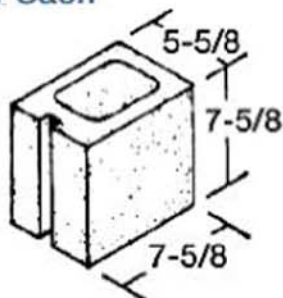
Wt 34

**6x8x16 Solid**



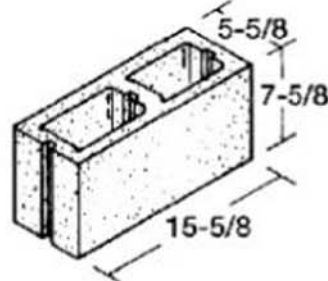
Wt 50 Lwt 36

**6x8x16 Combination  
Half Sash**



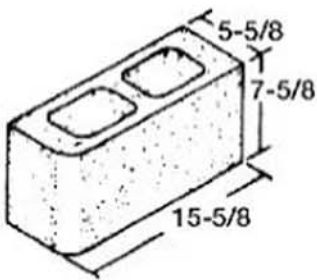
Wt 21

**6x8x16 Knockout**



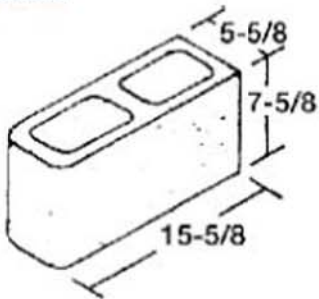
Wt 28

**6x8x16 Bullnose Corner**



Wt 29

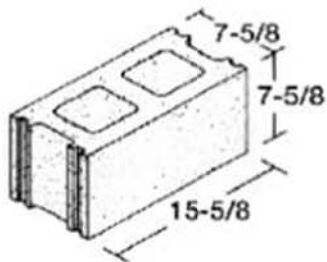
**6x8x16 Double Bullnose  
Corner**



Wt 29

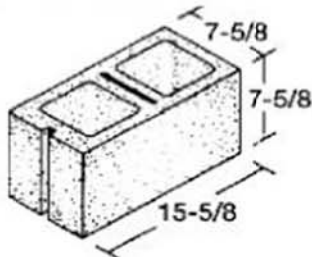
# 8x8x16 UNITS

**8x8x16 2 Core Hollow**



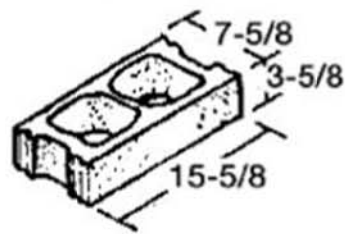
Wt 35 Lwt 27

**8x8x16 Combination Corner-Sash-Half**



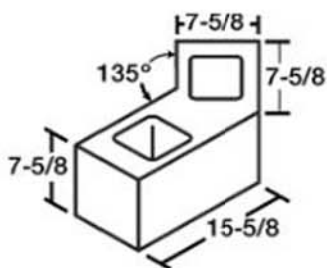
Wt 38 Lwt 29

**8x4x16 H.C. Half High**



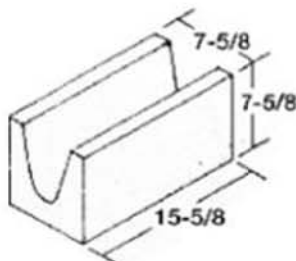
Wt 18

**8x45° H.C.**



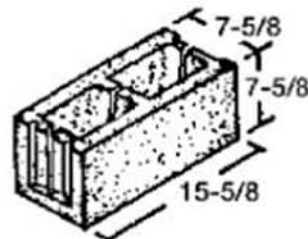
Wt 32

**8x8x16 Bond Beam**



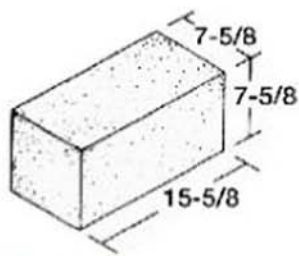
Wt 40 Lwt 30

**8x8x16 Open Bottom Bond Beam**



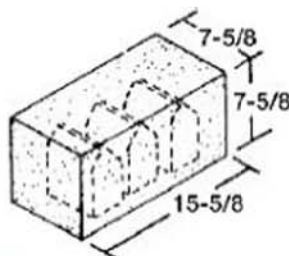
Wt 38

**8x8x16 Solid**



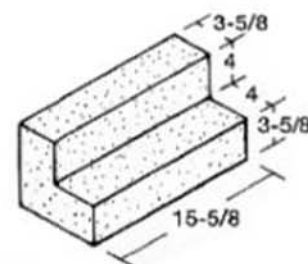
Wt 69 Lwt 50

**8x8x16 FHA/Termite Cap**



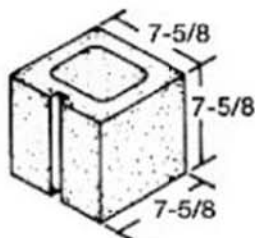
Wt 50

**8x8x16 Solid Header**



Wt 53

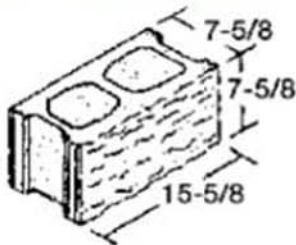
**8x8x8 Combination Half-Sash**



Wt 25 Lwt 19

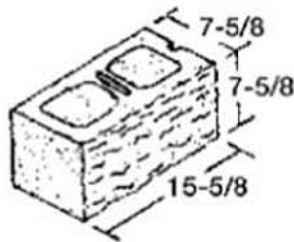
# 8x8x16 SPLIT FACE & FITTINGS

**8x8x16 Split Face & Split Face Corners One Face One End**



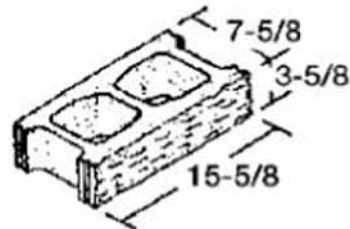
Wt 42

**8x8x16 Split Face Sash/End Breaker**



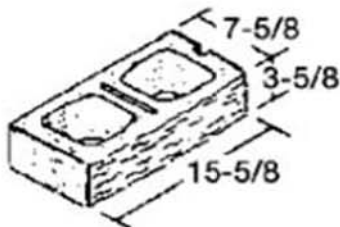
Wt 43

**8x4x16 Split Face**



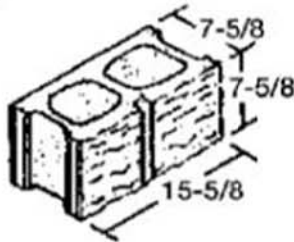
Wt 19

**8x4x16 Split Face Sash/End Breaker**



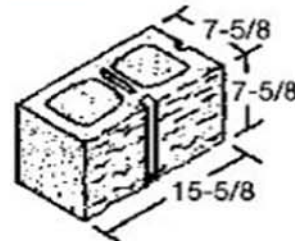
Wt 20

**8x8x16 Split Face Single Score**



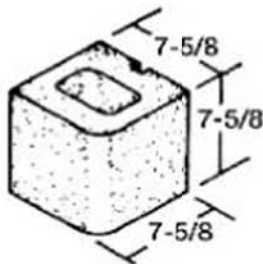
Wt 43

**8x8x16 Split Face Single Score Sash/End Breaker**



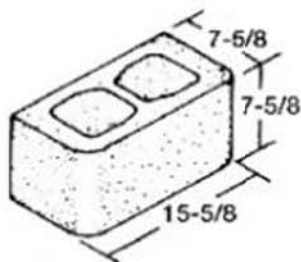
Wt 45

**8x8x8 Bullnose Half**



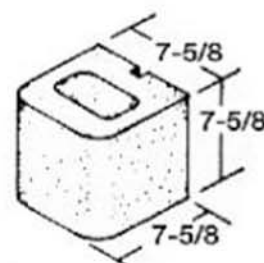
Wt 24 Lwt 18

**8x8x16 Double Bullnose Pilaster**



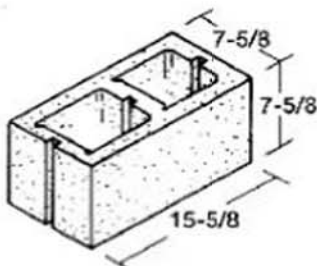
Wt 4-1/2 Lwt 3-1/2

**8x8x16 Double Bullnose Half**



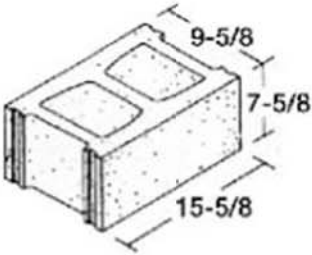
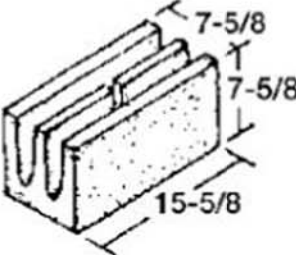
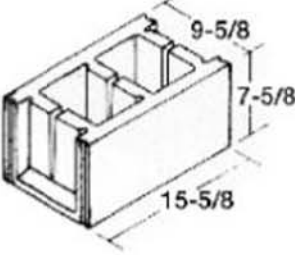
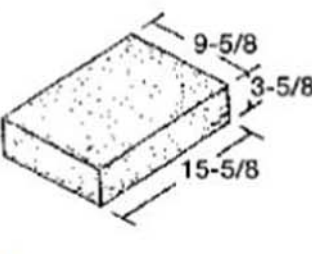
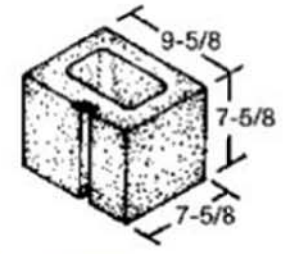
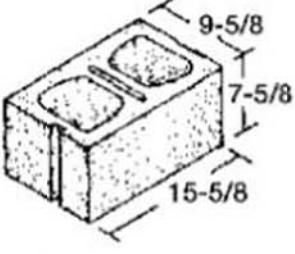
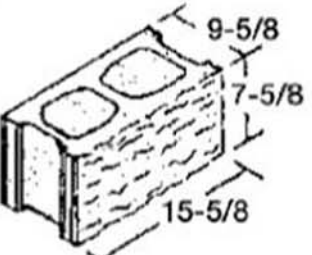
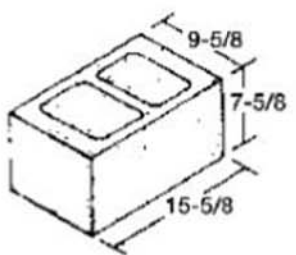
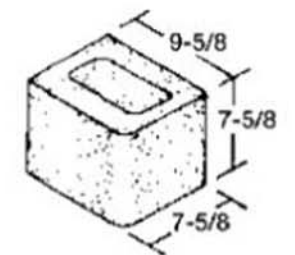
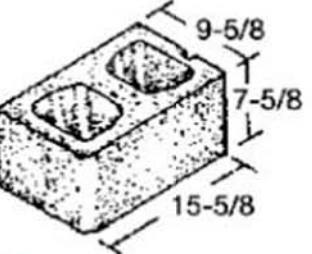
Wt 24

**8x8x16 Knock Outs**



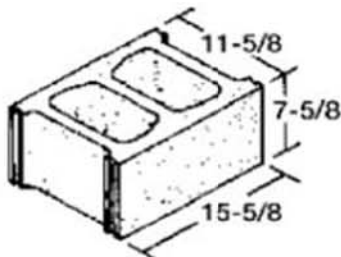
Wt 40

# 10x8x16 UNITS

<p><b>10x8x16 2 Core Hollow</b></p>  <p>Wt 45 Lwt 34</p>	<p><b>10x8x16 Bond Beam</b></p>  <p>Wt 47</p>	<p><b>10x8x16 F.H.A.</b></p>  <p>Wt 48 Lwt 40</p>
<p><b>10x4x16 Solid (SPO)</b></p>  <p>Wt 44</p>	<p><b>10x8x8 Combination Half-Sash</b></p>  <p>Wt 33 Lwt 26</p>	<p><b>10x8x16 Sash/End Breaker</b></p>  <p>Wt 50</p>
<p><b>10x8x16 Split Face</b></p>  <p>Wt 51</p>	<p><b>10x8x16 Pilaster</b></p>  <p>Wt 55 Lwt 43</p>	<p><b>10x8x8 Bullnose Half</b></p>  <p>Wt 32 Lwt 25</p>
<p><b>10x8x16 SBN Sash</b></p>  <p>Wt 46</p>		

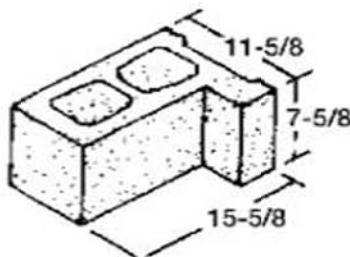
# 12x8x16 UNITS

**12x8x16 2 Core Hollow**



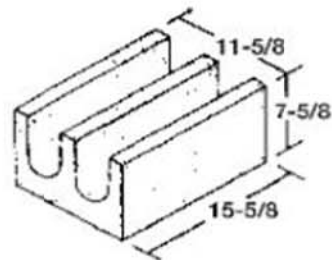
Wt 51 Lwt 40

**12x8x16 Return Corner**



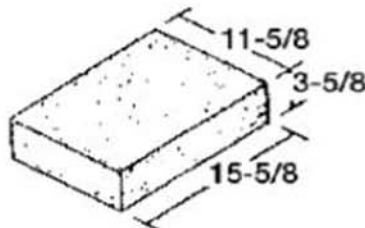
Wt 50

**12x8x16 Bond Beam**



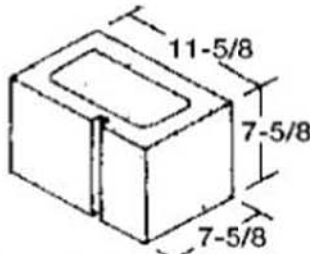
Wt 55 Lwt 48

**12x4x16 Solid**



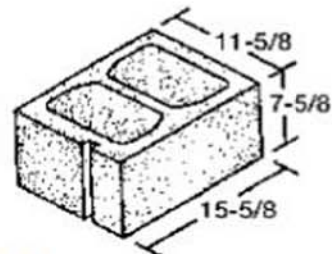
Wt 50

**12x8x8 Combination Half-Sash**



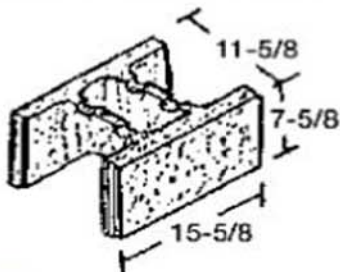
Wt 34 Lwt 24

**12x8x16 Combination Corner-Sash**



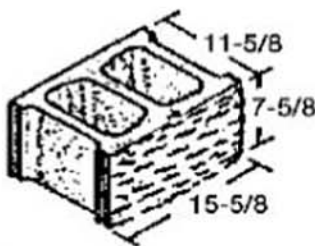
Wt 58

**12x8x16 Grout Block**



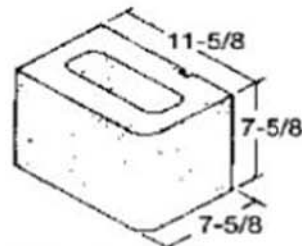
Wt 42

**12x8x16 Split Face**



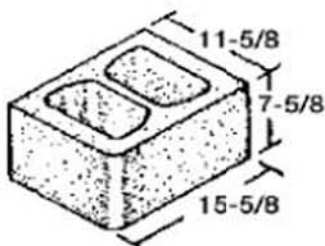
Wt 58

**12x8x8 Bullnose Half**



Wt 33 Lwt 23

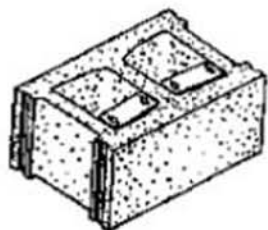
**12x8x16 SBN/End**



Wt 56

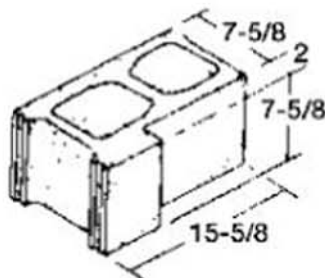
SPECIAL APPLICATION

Fabricore Block Insulation



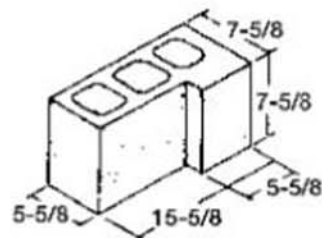
Available in 6, 8, 10, 12" Units

10x8x16 Return Corner



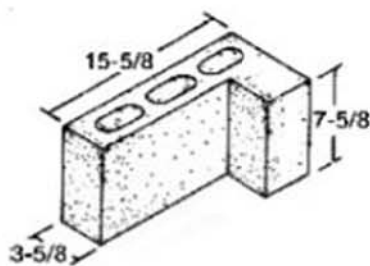
Wt 47

6x8x16 Return Corner



Wt 42

4x8x16 Return Corner



Wt 34 Lwt 21